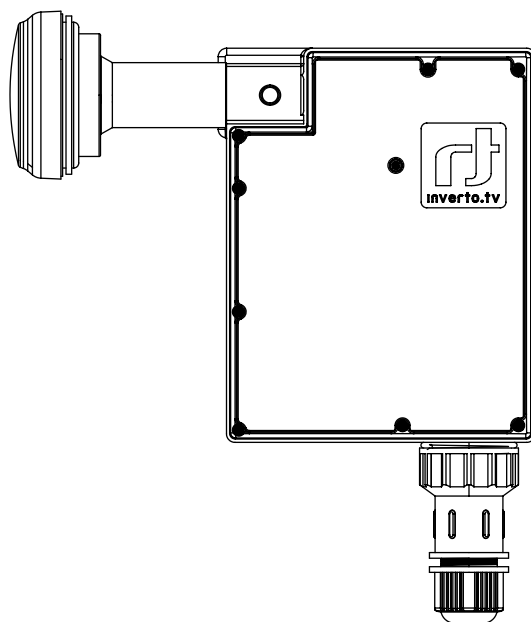


SAT > IP

8 Channel SAT>IP LNB



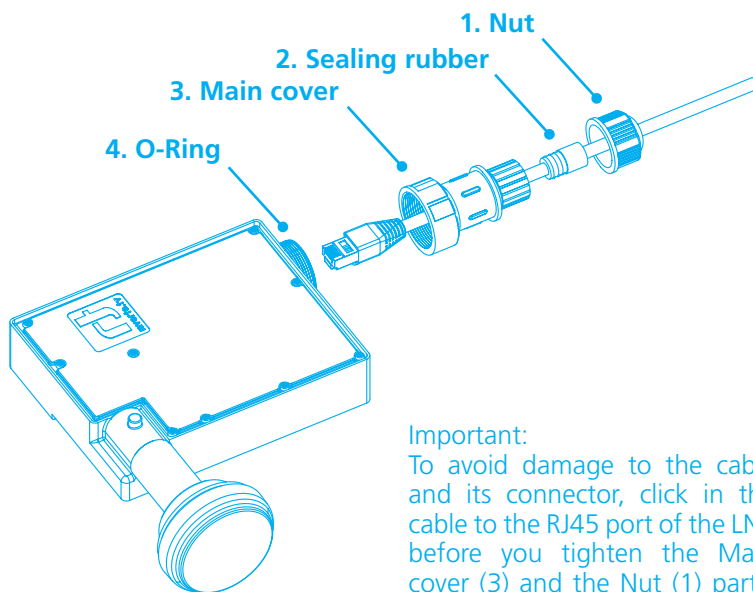
Installation Guide
IDLI-8CHE20-OOPOE-OSP

The IP-LNB Set Up

The IP-LNB has the ability to receive and convert up to 8 individual channels simultaneously into SAT>IP streams. The LNB is connected from the dish to the home over Cat5e or above cabling and into a PoE unit. The PoE normally sits in the home and its function is to deliver both power to the LNB and is the data link for the LNB. The output data port of the PoE is normally connected to either your router/Wi-Fi Access point or to a Network Switch. Delivery of the SAT>IP streams is then either over Wi-Fi, an Ethernet connection either directly or over a PLC data link.

Installing the IP-LNB with the Dish

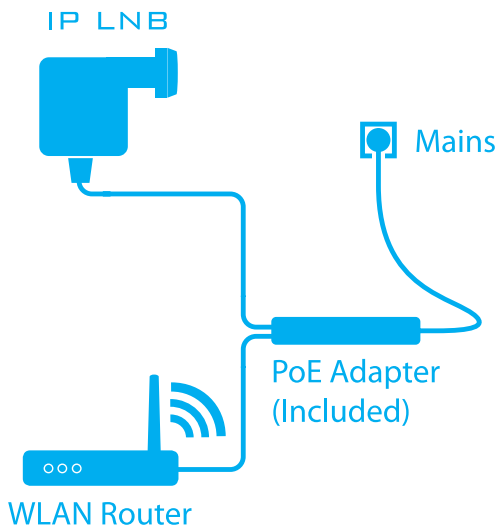
An App is currently in development to support the installation of the IP-LNB to the dish by a smart phone over the Wi-Fi network. However, for now our recommendation is to tune the dish by using a standard LNB and once the dish is locked into position replace the standard LNB with the IP-LNB.



Connecting the IP-LNB to your home network

The IP-LNB is connected via standard Ethernet cabling [Cat5e or above] to the PoE unit. The PoE has two RJ45 ports and it is here extra care has to be taken when installing the system.

Incorrect connections from the PoE can cause damage to your router or network switch. The output labelled P+D/Out of the PoE carries power for the IP-LNB and you should ensure that this port is not connected to any of your in-home Router, Access Point, Network Switch or Client device as this may cause damage to these devices.



Connection to the PoE

- The connection to the left is labelled P+D/OUT and must only be connected to the IP-LNB, this connection provides the LNB with its power and its data link.
- The connection to the right is labelled Data/IN and is the connection for the SAT> IP output stream of the LNB and is connected to either your Router / Wi-Fi Access Point or Network Switch.



SAT>IP Client Devices

The SAT>IP client is either a software App or a device that is used to convert the SAT>IP stream to a usable form for the screen you are using to view the content on. For tablets, smart phones this is normally the Elgato App which is found at both the iTunes and Google Play sites. For TV's they may come with the SAT>IP client software embedded in the TV or they may require a separate hardware client (set top box) which is connected to the TV, such as the Inverto Volksbox.

Inverto Volksbox (IDL-6654N)

When configuring the quick installation on your Volksbox WebEdition+, you can choose between internal tuner or SAT<IP mode. Then just follow the steps.

iOS/Android Smart Phones and Tablets

The Elgato SAT>IP or the HD+ Program guide Application allows you to receive unscrambled (FTA) SD programs.

1. Download the "Elgato Sat>IP" App from iTunes or Google Play.
2. Install the App on your iOS or Android device.
3. Start the App.

PC

With Microsoft Windows® operating system:

Using the program "DVBViewer", you can find a free version at www.satip.info

Within the options menu you can choose your SAT>IP server and change the settings, usually it is not needed to do any changes within this menu.

Key features

- Universal Ku-band frequency range 10.7-12.75GHz
- Reception of up to 8 DVB-S/S2 transponders simultaneously
- Compliant with the SAT>IP communication protocol
- Supporting up to 8 different SAT>IP - compatible Client devices/Apps
- Web-based management interface
- Software upgradable online or through a local PC
- Power-over-Ethernet Type I, less than 10W for 8-channel operation

Technical parameters:

Input Frequency Range	10.70 - 12.75 GHz
Supply Power (PoE IEEE 802.3af-2003)	48 V +/- 10%
Power Consumption (Class 3, PoE PD device)	9 W (Typ.), 12.95 W (Max.)
Working Temperature	- 40 ° ~ + 65 °
Feed diameter	23 mm
Dish F/D ratio	0.6
IP protection	IP54

Further Support

The IP LNB includes a built-in web-based device management and monitoring UI accessible from any PC connected over the same home network. For more detailed instructions and help on setting up your system please go to our website www.inverto.tv where more detailed information is available.



For more info